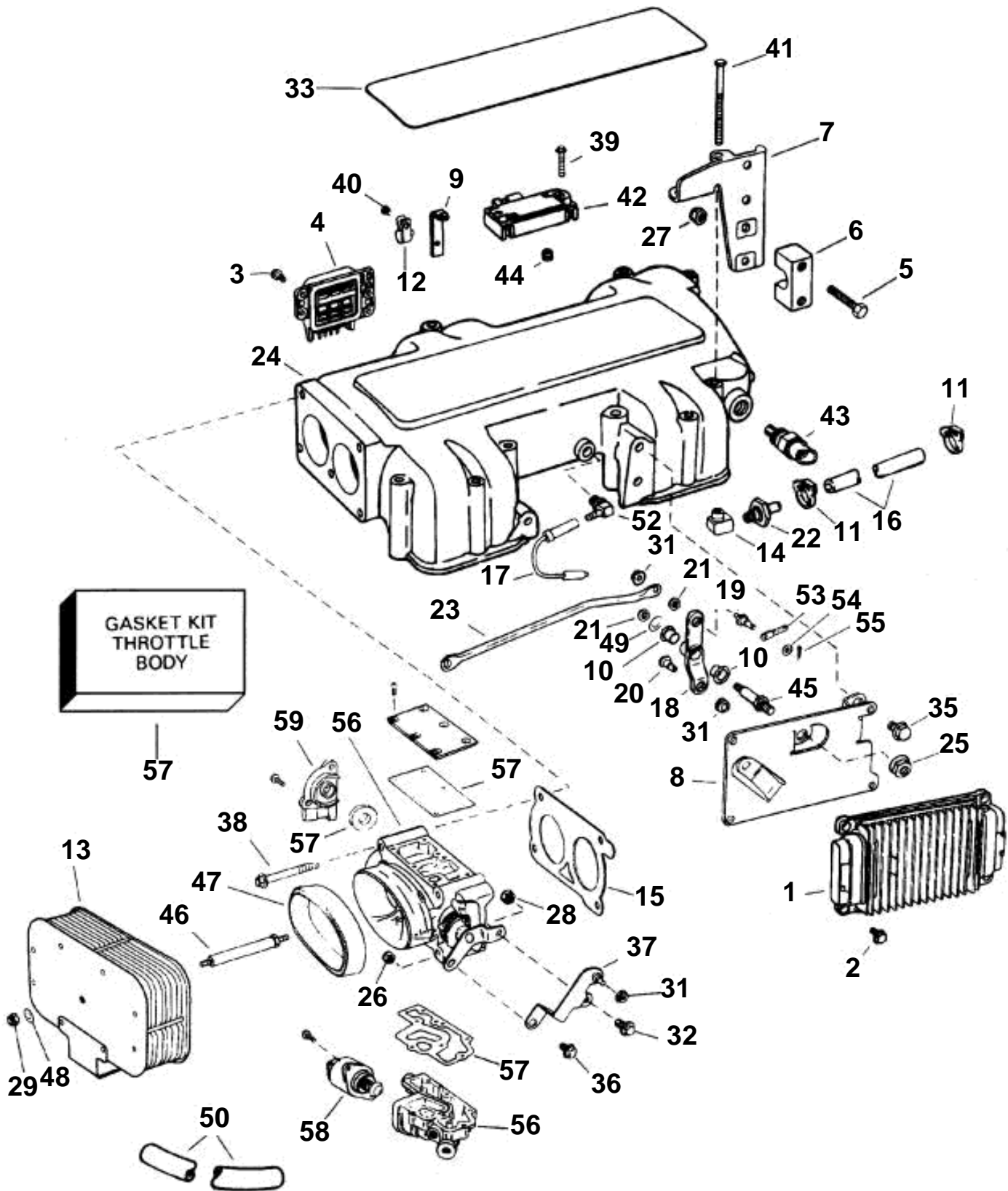


UPPER INTAKE MANIFOLD, Gi, GSi



UPPER INTAKE MANIFOLD, Gi, GSi

| REF | PART NO. | QTY | DESCRIPTION |
|-----|----------|-----|------------------------------------|
| 1 | 3854803 | 1 | Ecu, Gi |
| | 3854801 | 1 | Ecu, DECAL, GSi |
| 2 | 3852115 | 4 | Screw, Module to bracket |
| 3 | 3852115 | 2 | Screw, Knock sensor |
| 4 | 3854512 | 1 | Sensor, Knock |
| 5 | 3852048 | 1 | Screw, Throttle cable |
| 6 | 3850266 | 1 | Anchorage, Throttle cable |
| 7 | 3854569 | 1 | Bracket, Throttle cable |
| 8 | 3854615 | 1 | Bracket, Module & throttle |
| 9 | 3854820 | 1 | Bracket, Fuel line |
| 10 | 3852094 | 1 | Bushing, Throttle lever |
| 11 | 3852529 | 2 | Clamp, Pulse limiter hose |
| 12 | 3854896 | 1 | Clamp, Fuel line |
| 13 | 3854669 | 1 | Flame shield |
| 14 | 3854675 | 1 | Elbow, Pulse limiter |
| 15 | 3854520 | 1 | Gasket |
| 16 | 3853582 | 1 | Hose, Reservoir to pulse limiter |
| 17 | 3854677 | 1 | Hose, Regulator to intake |
| 18 | 3854741 | 1 | Lever, Throttle |
| 19 | 3854742 | 1 | Pin |
| 20 | 3854743 | 1 | Pin |
| 21 | 3854744 | 2 | Nut, Pin |
| 22 | 3852225 | 1 | Impulse limiter, Pulse |
| 23 | 3854648 | 1 | Link, Lever |
| 24 | 3854514 | 1 | Manifold, Upper |
| 25 | 3852005 | 1 | Nut, Throttle lever |
| 26 | 3852009 | 1 | Nut, Throttle body |
| 27 | 3852118 | 1 | Nut, Anchor |
| 28 | 3852420 | 1 | Lock nut, Throttle body |
| 29 | 3852420 | 1 | Lock nut, Flame arrestor |
| 30 | 3853404 | 1 | Lock nut, Lever to bracket |
| 31 | 3853729 | 2 | Nut, Throttle lever |
| 32 | 3852053 | 1 | Screw, Lever to throttle body |
| 33 | 3854991 | 1 | Decal, Gi |
| | 3854992 | 1 | Decal, GSi |
| 35 | 3853398 | 2 | Screw, Module & throttle bracket |
| 36 | 3853428 | 1 | Screw, Throttle lever |
| 37 | 3854566 | 1 | Lever |
| 38 | 3854651 | 4 | Screw, Throttle body |
| 39 | 3854655 | 2 | Screw, MAP sensor |
| 40 | 3854897 | 1 | Screw, Fuel line clamp |
| 41 | 3855091 | 12 | Screw, Upper intake |
| 42 | 3850396 | 1 | Sender, Manifold air pressure |
| 43 | 3854527 | 1 | Temperature sensor |
| 44 | 3854650 | 1 | Seal, M AP sensor |
| 45 | 3854649 | 1 | Control shaft, Throttle arm |
| 46 | 3854671 | 1 | Stud, Flame arrestor |
| 47 | 3854670 | 1 | Grommet, Flame arrestor |
| 48 | 3852184 | 1 | Washer, Flame arrestor |
| 49 | 3852189 | 1 | Washer, Throttle lever |
| 50 | 3852435 | 2 | Hose, Flame arrestor |
| 52 | 3854679 | 1 | Elbow, Regulator hose |
| 53 | 3850950 | 1 | Cable anchorage, Cable |
| 54 | 3852193 | 1 | Washer, Cable to lever |
| 55 | 3852052 | 1 | Cotter pin, Cotter, cable to lever |
| 56 | 3854519 | 1 | Throttle |
| 57 | 3855193 | 1 | · Repair kit, Throttle body |
| 58 | 3855194 | 1 | · Sensor |
| 59 | 3855296 | 1 | · Sensor, Throttle position |
| | 3852094 | 1 | Bushing, Throttle pivot |
| | 3855033 | 1 | Plug, Manifold, rear plenum |